

2025 RELEASE UNDER E.O. 14176

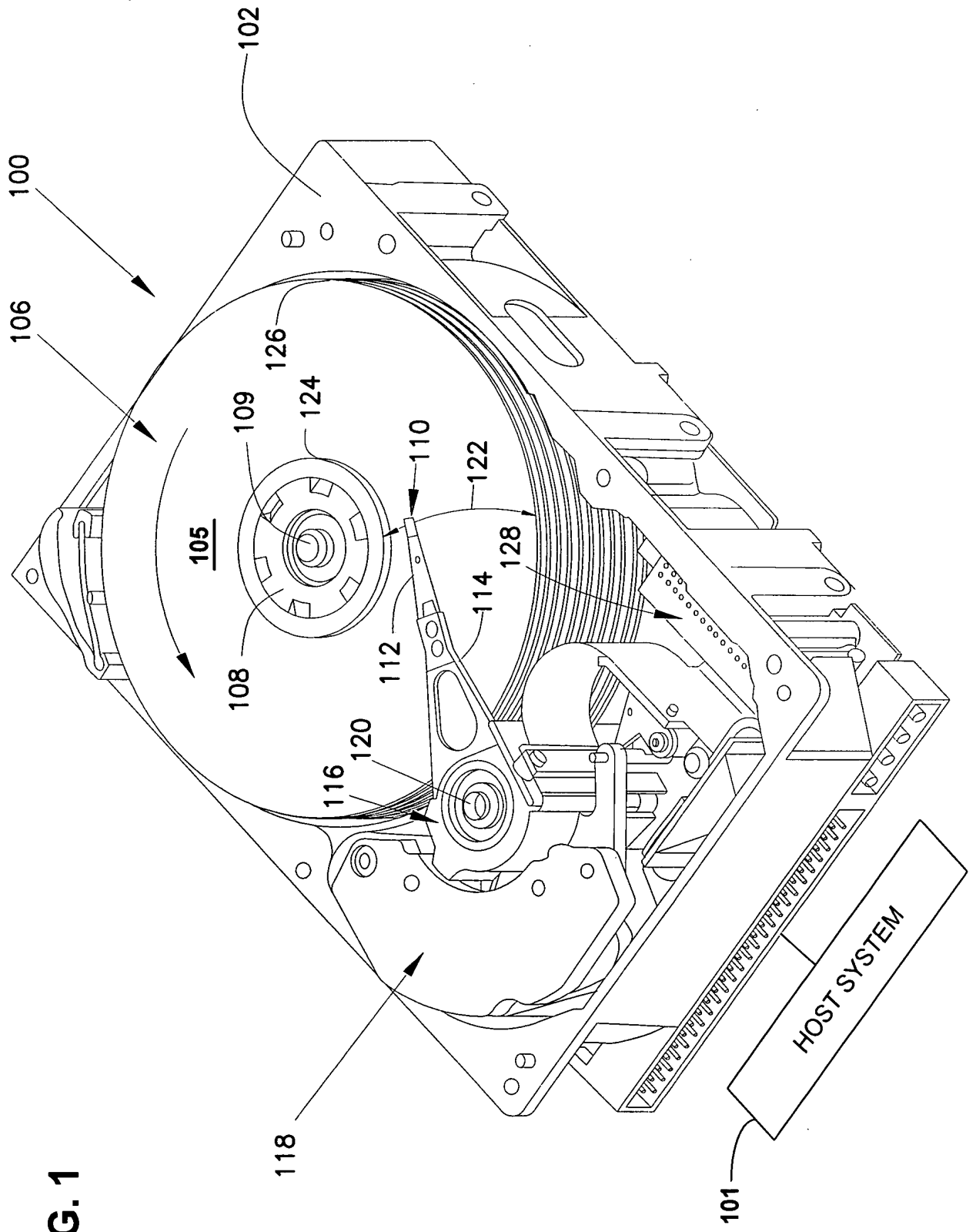


FIG. 1

FIG. 2

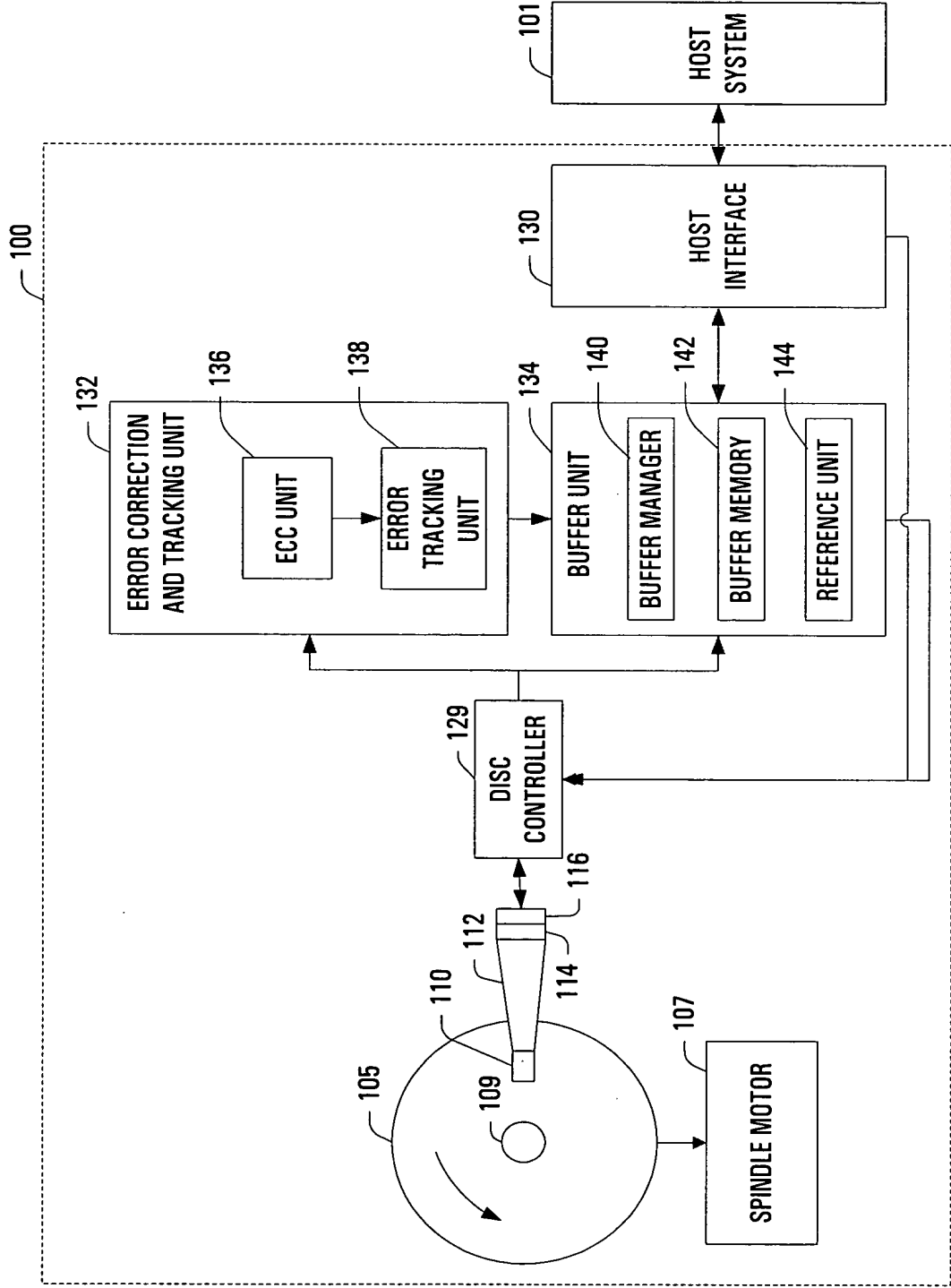
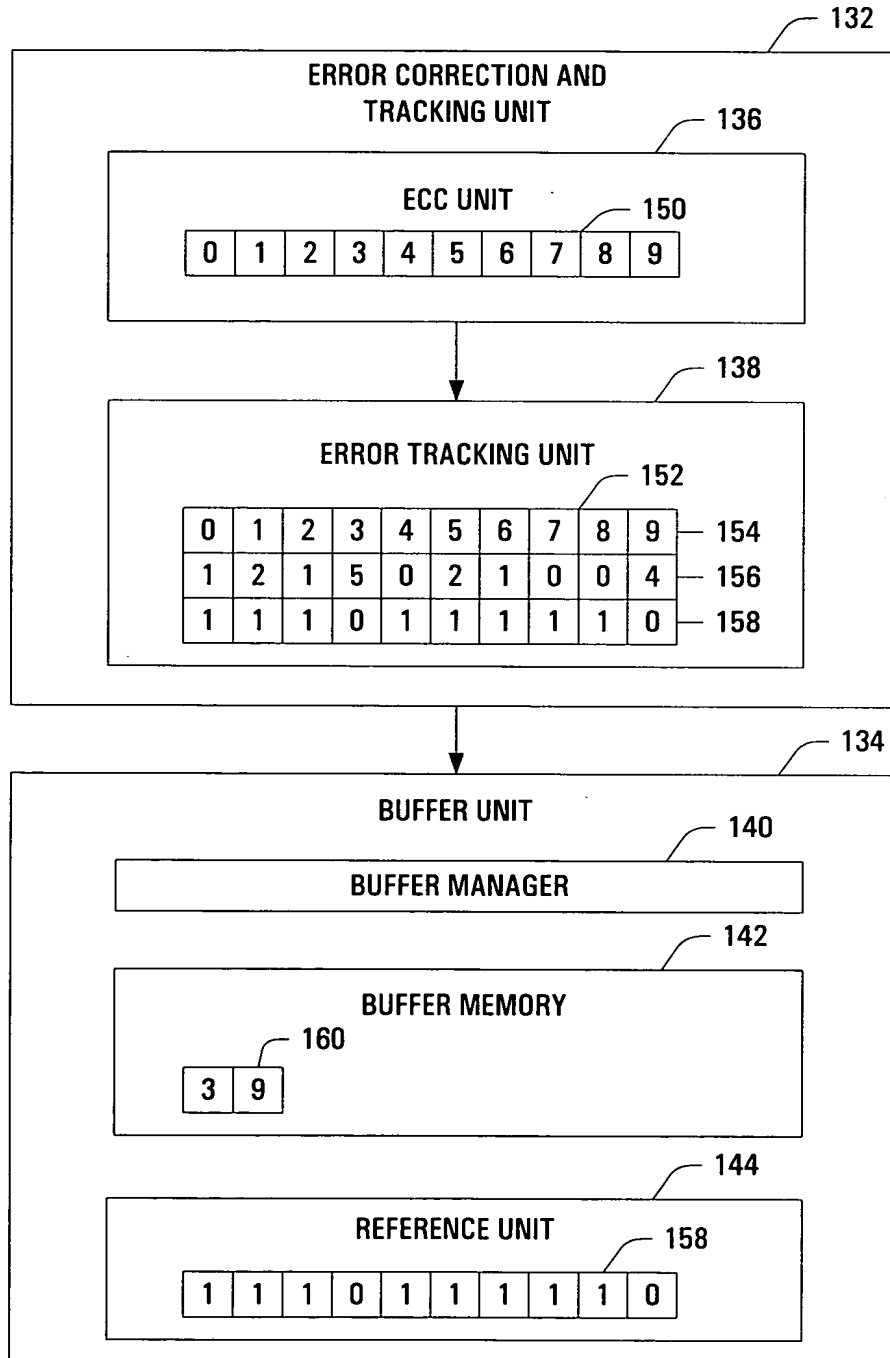
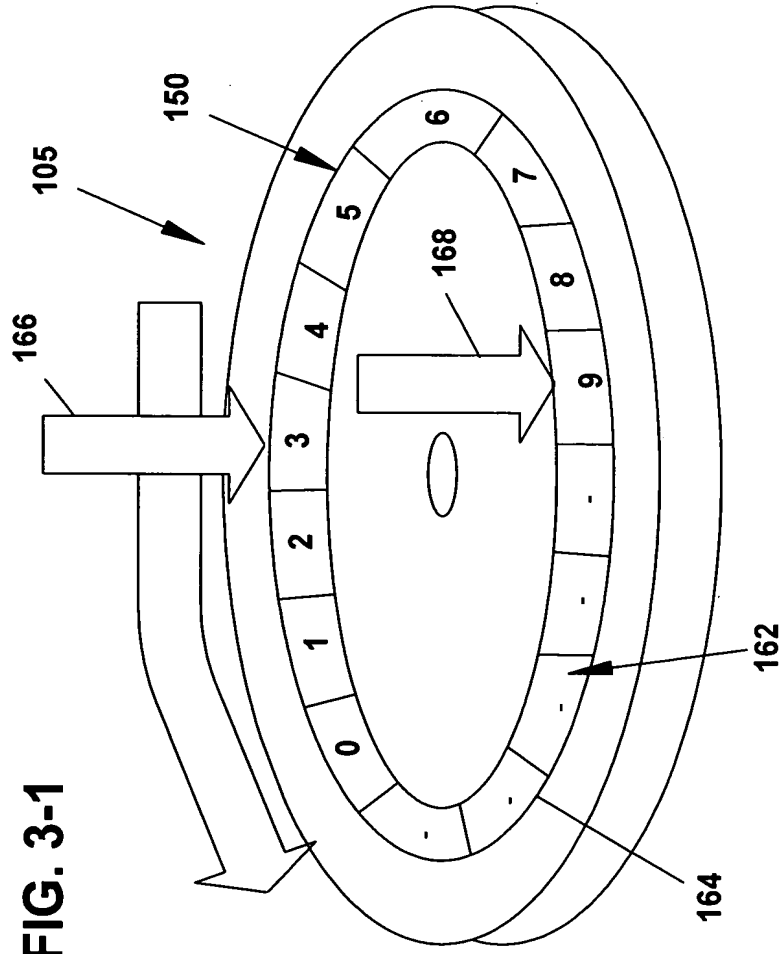


FIG. 3



20200807

FIG. 3-1



2025 RELEASE UNDER E.O. 14176

FIG. 4

